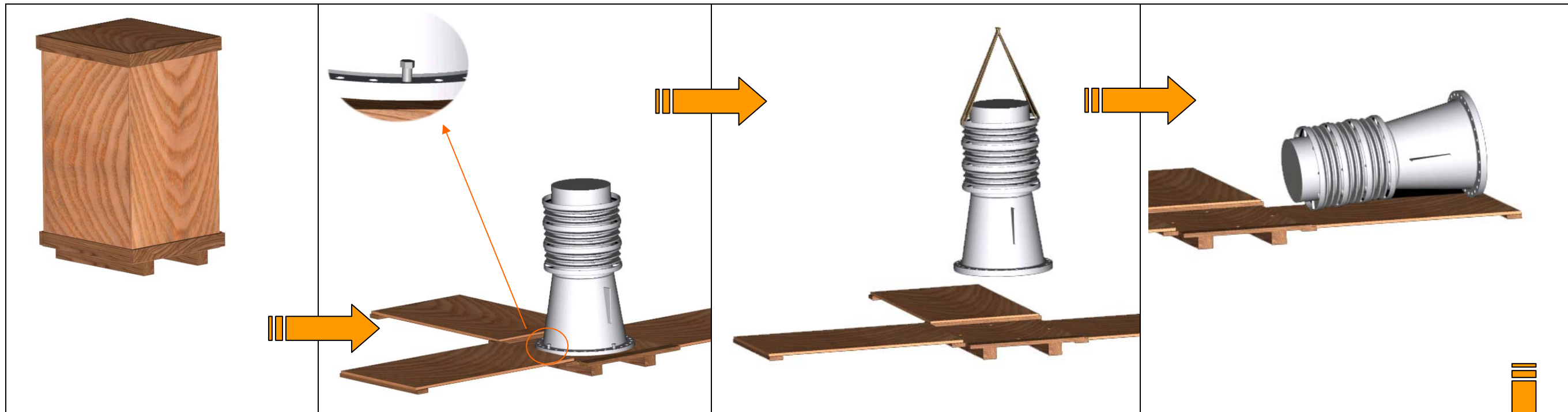


Stork 施托克内置式除氧器喷嘴安装示意图

Instruction for installing of Stork type sprayer

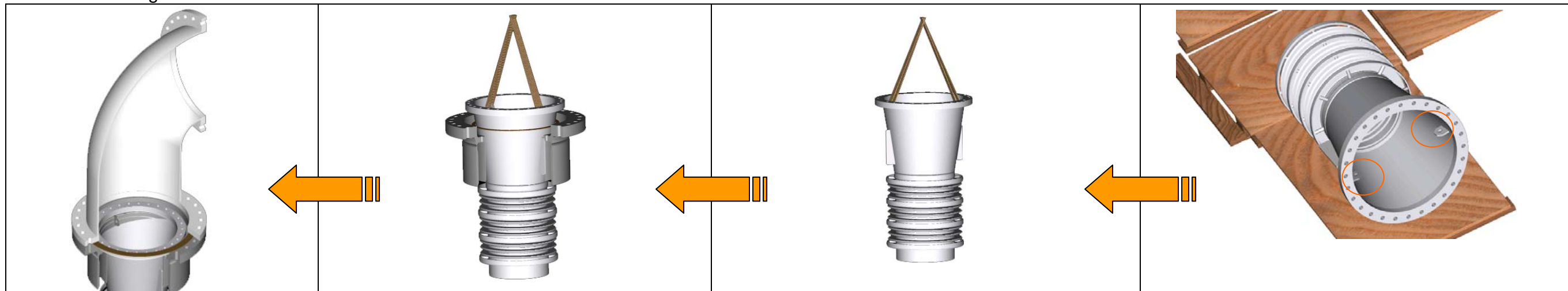


在使用前请不要打开包装以避免意外损坏。
Please unpack the sprayer just before installation to avoid accidental damage.

拆开木箱包装，松开底部固定螺栓。
Unpack the wooden box and loose the bolts for purpose of fixation during transport.

按照图示悬吊位置起吊喷嘴。
Lift the sprayer with slings by use of protecting ring.

将喷嘴平置，准备起吊安装喷嘴。
Lay down the sprayer.



喷嘴就位后，用螺丝紧固；然后再安装凝结水接口。
Screw on bolts, and assemble the bent pipe.

缓慢放入除氧器的喷嘴安装座，避免碰撞损坏。注意放入前先放置垫片。
Put the sprayer into seat carefully to avoid damage caused by impact. Remember to place gasket.

起吊准备对接入喷嘴座
Lift the sprayer.

除氧器喷嘴内部的安装起吊吊耳。
Sprayer should be lifted by use of lifting lugs inside the cone.